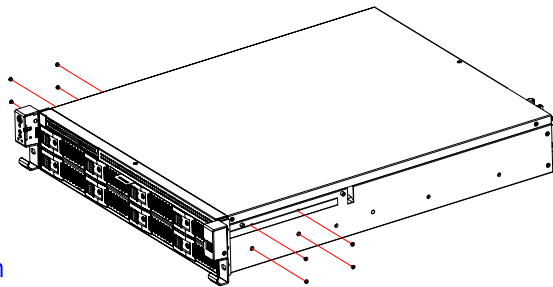
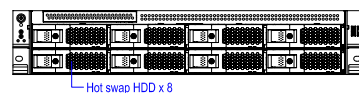
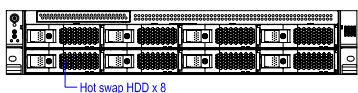
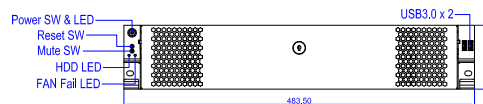
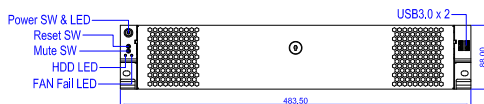
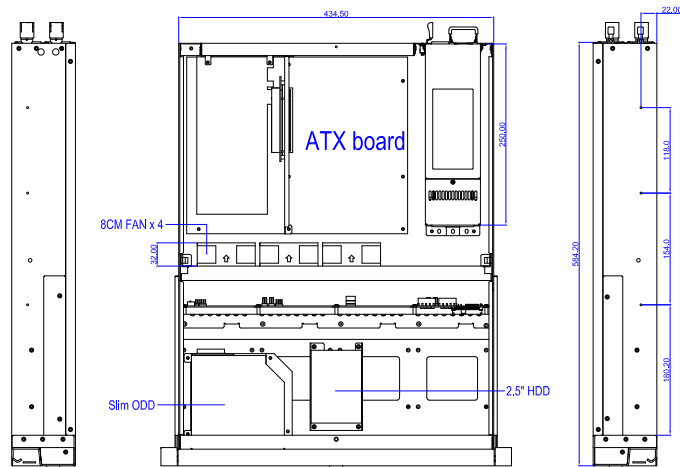
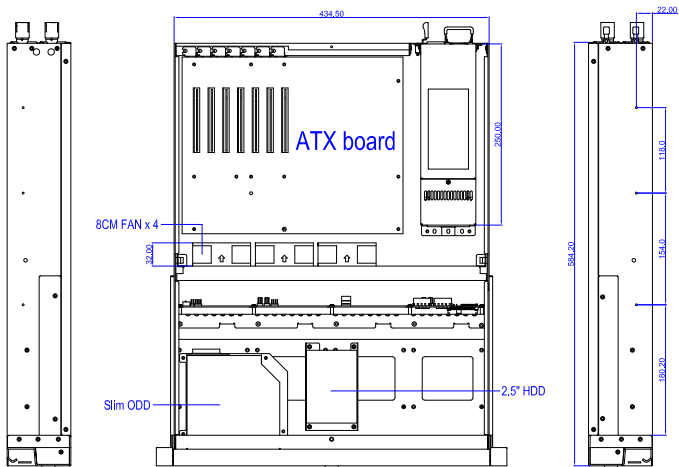
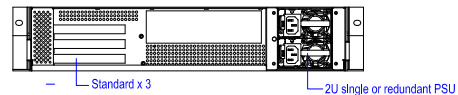
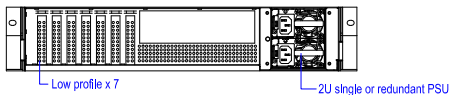
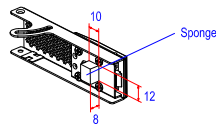


Model No.	C-280SS
Ext	3.5" x 8 , Slim ODD x 1
Hid	2.5" x 1
M/B	12" x 9.6"
Fan	8CM x 3,(Option 8CM x 1)
Slot	x 7 (Low Profile) or Standard x 3
Rev.	2023/01/30



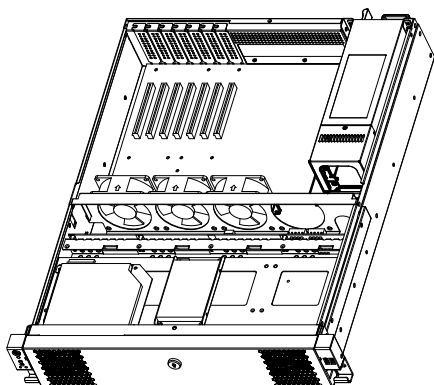
REVISIONS			
REV.	DESCRIPTION	DATE	BY

2022/11/22 modified
 (1) screw length changed from 4mm to 3mm



Open Door

Open Door



PROPRIETARY AND CONFIDENTIAL
 THE INFORMATION CONTAINED IN THIS
 DRAWING IS THE SOLE PROPERTY OF
 ISTARUSA GROUP. ANY
 REPRODUCTION IN PART OR AS A WHOLE
 WITHOUT THE WRITTEN PERMISSION OF
 ISTARUSA GROUP IS
 PROHIBITED.

				NAME	DATE
				DRAWN	
				CHECKED	
				ENG APPR.	
				MFG APPR.	
				Q.A.	
				COMMENTS:	
NEXT ASSY	USED ON				
BY	UA				

DIMENSIONS ARE IN MM
 TOLERANCES:
 FRACTIONAL ±
 ANGULAR: MACH ± BEND ±
 TWO PLACE DECIMAL ±
 THREE PLACE DECIMAL ±

MATERIAL

FINISH

iStarUSA™

C-280SS

SIZE	DWG. NO.	REV.
A	Draw1	
SCALE: 1:1	WEIGHT:	SHEET 1 OF 1