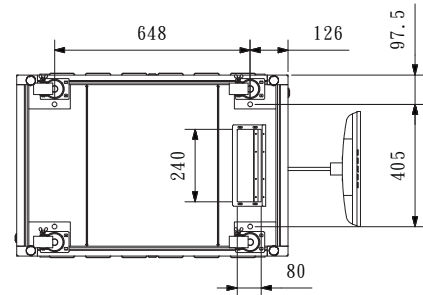
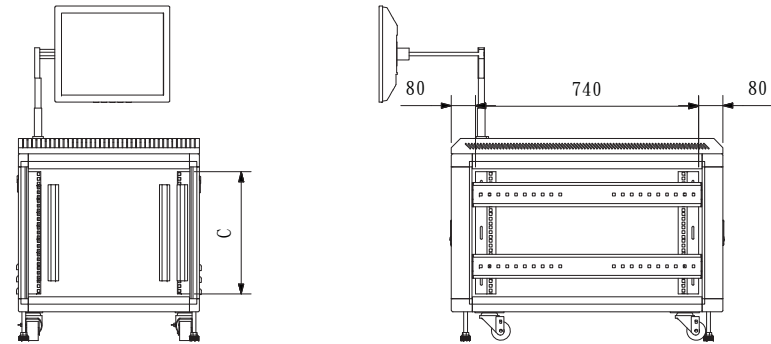
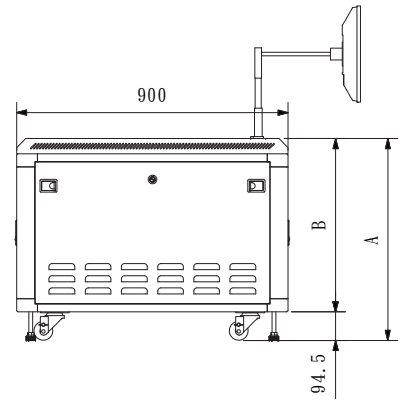
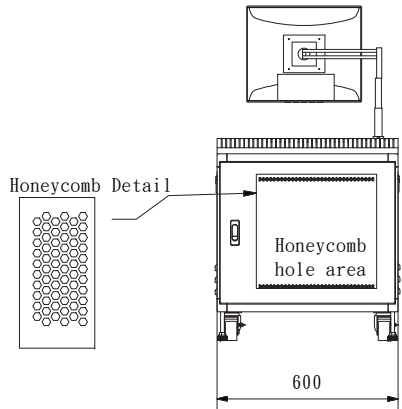
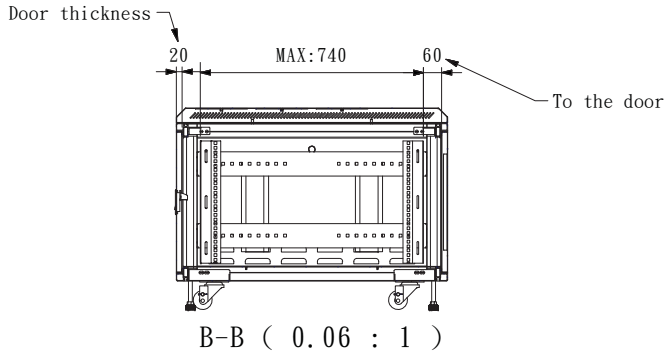
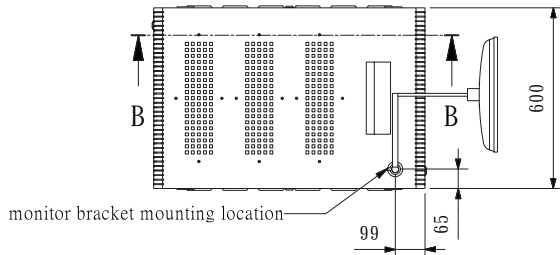
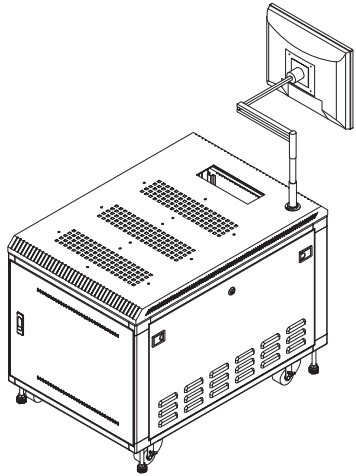
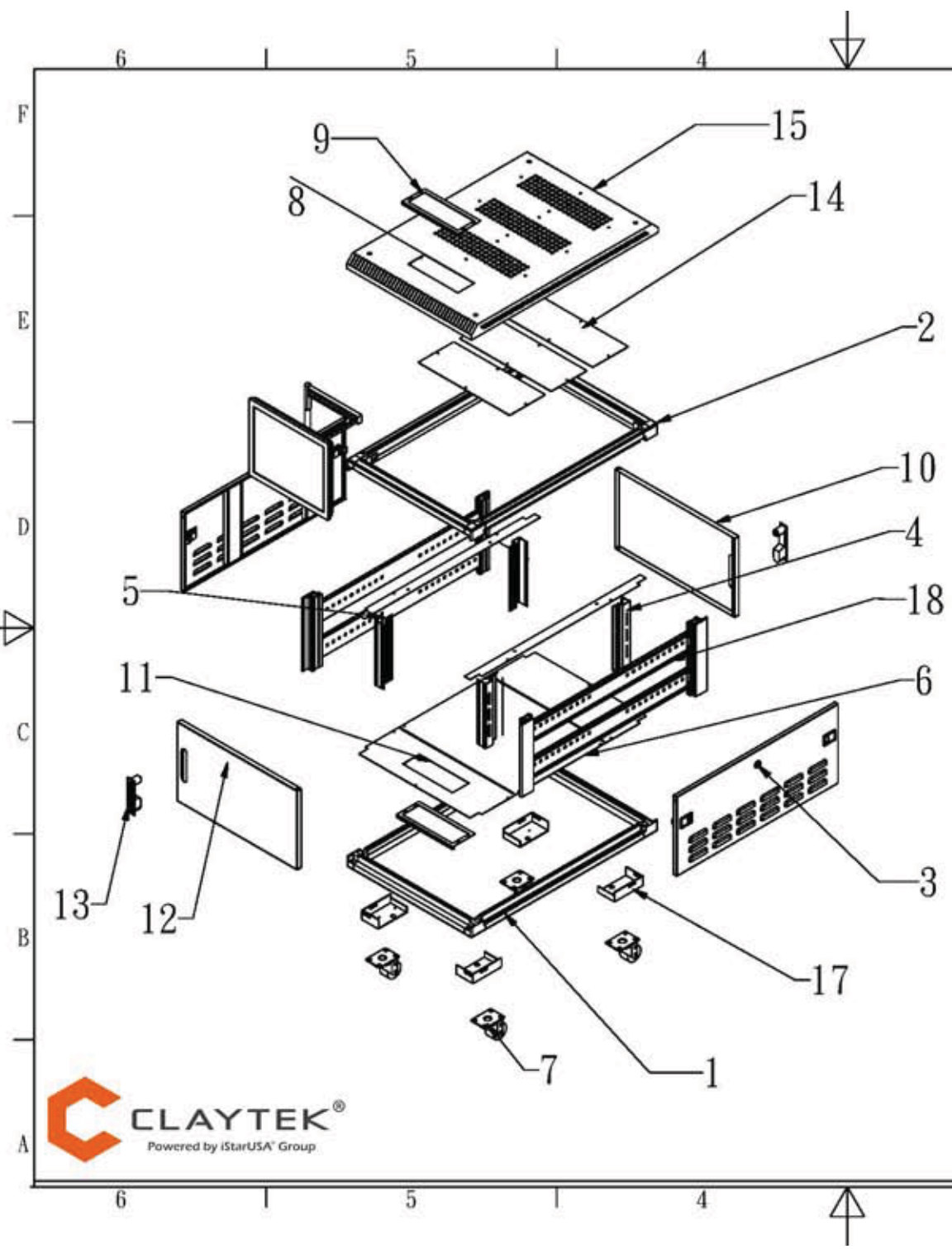


# WG Series Size Table

WG Series Size Table			
Model #	Variable Size		
	A (mm)	B (mm)	C (mm)
WG-690	530.5	436	269
WG-790-S	580	485.5	314
WG-990	669	574.5	403
WG-129	802	707.5	536





BOM sheet			
Item	Qty	Part NO.	Rrmak
1	1	Bottom frame	
2	1	Top frame	
3	2	Side panel with lock	
5	4	Mounting post	
6	1	Bottom plate	
7	4	Caster	
8	1	Top cable entry	
9	2	Brush	
10	1	Front honeycomb door	
11	1	Bottom cable entry	
12	1	Rear honeycomb door	
26	3	Top cover	
15	1	Top roof	
16	2	Mounting slice of roof	
17	4	Mounting slice of castor	
18	4	Mounting rail	