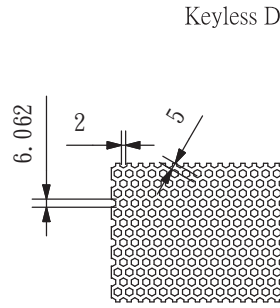
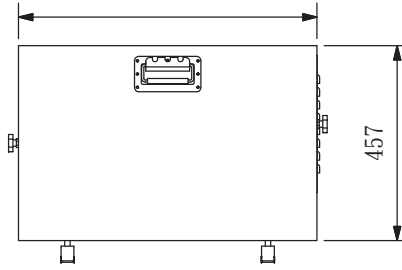
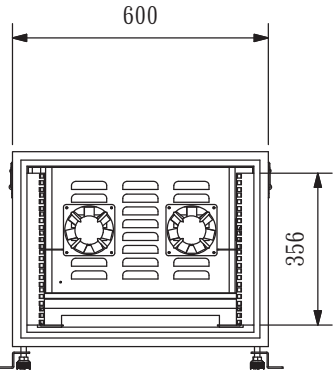
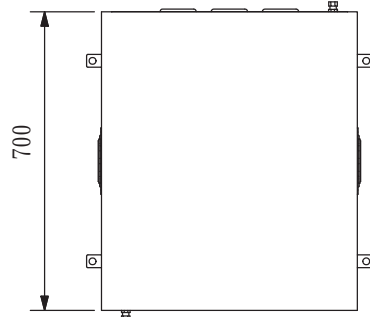
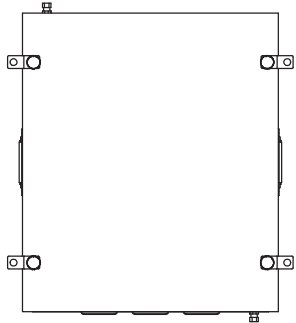
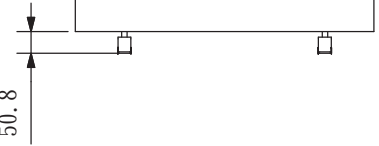
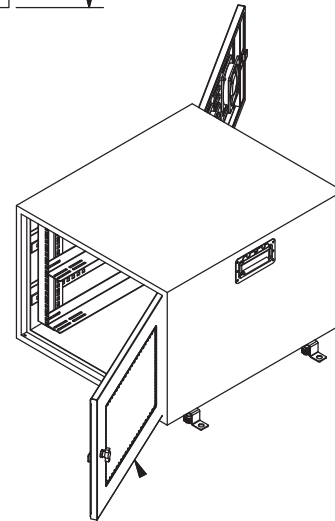
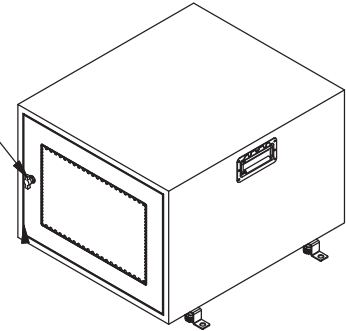


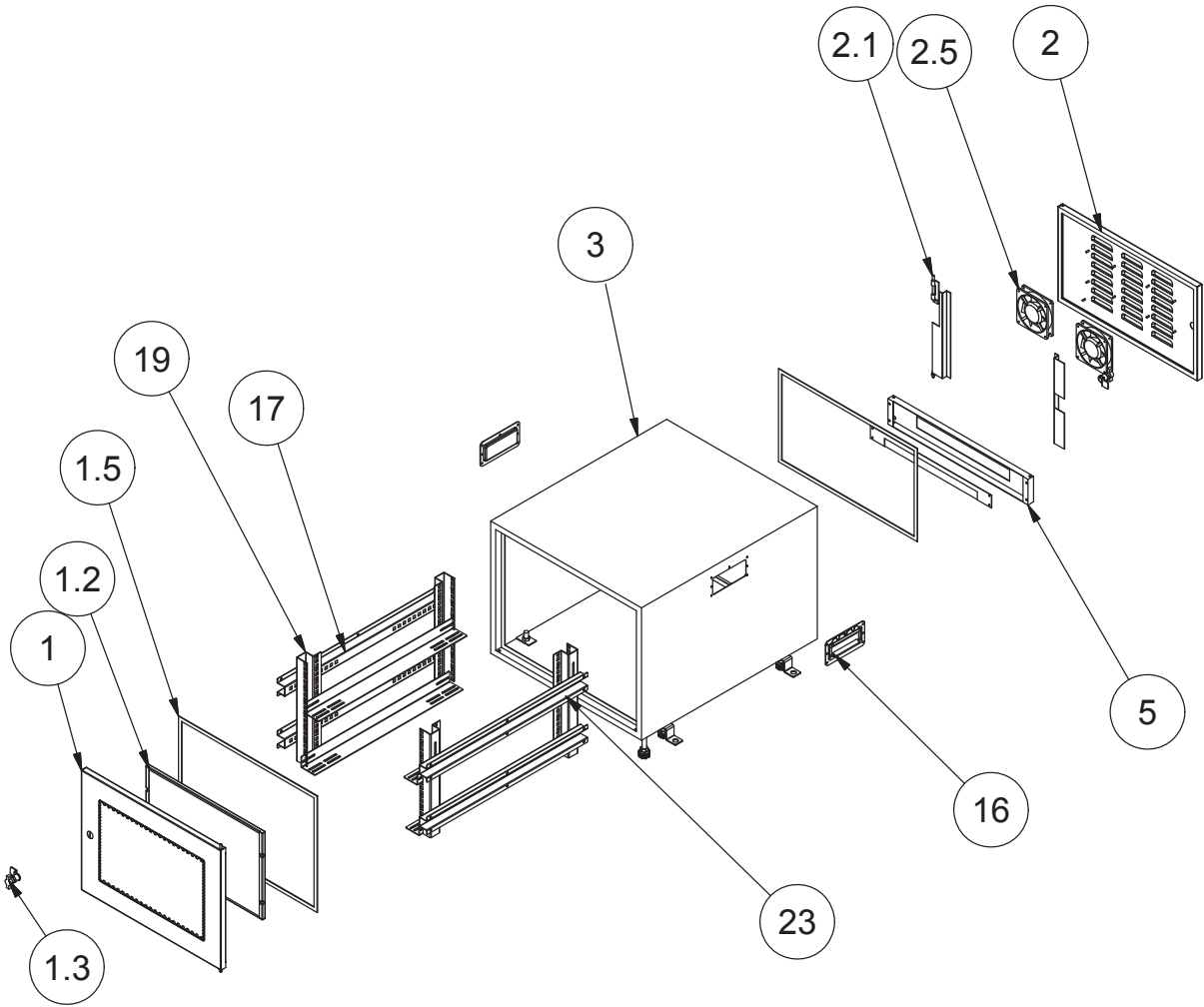
WGO-870



Keyless Door entry



WGO-870



BOM Sheet			
Item	Qty	Part no.	Remark
1	1	Front door	
1.2	1	Filter frame	
1.3	2	latch	
1.5	2	Gasket	
2	1	Rear door	
2.1	2	Spring latch	
2.5	2	120mmX120mm fan	
3	1	Main body	
4	4	110 Feet	
5	1	2U cable entry panel	
18	4	Mounting rail	
16	2	handle	
17	4	Sliding rail	
19	4	Mounting rail	
23	4	angle	
25	4	mounting parts	
26	1	Entry for brush panel	