

4

3

2

1

D

D

C

C

B

B

A

A

Adjustable Dripping Tray

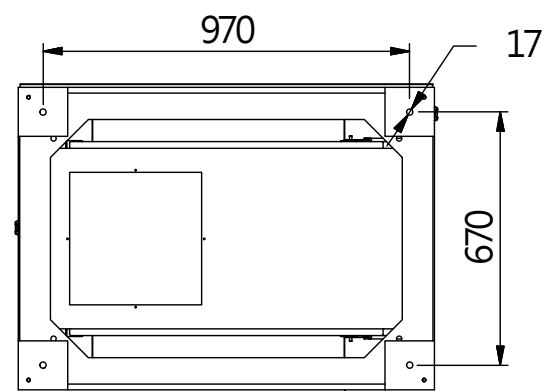
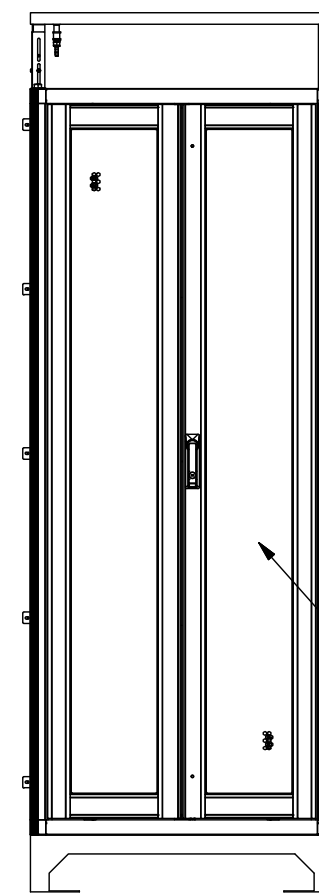
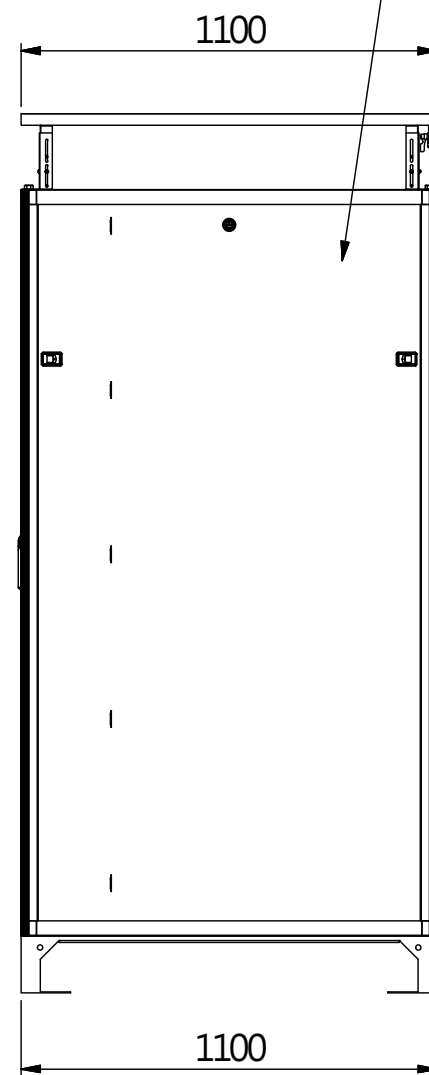
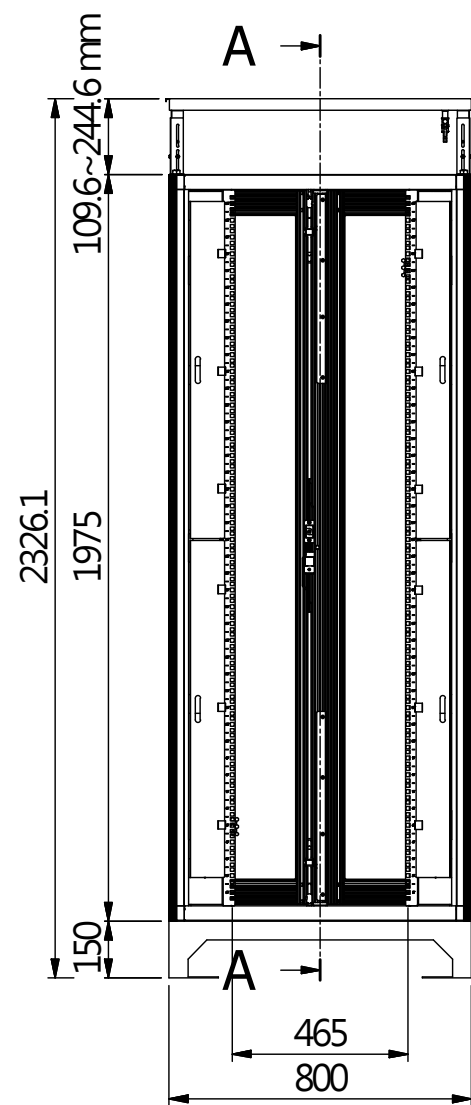
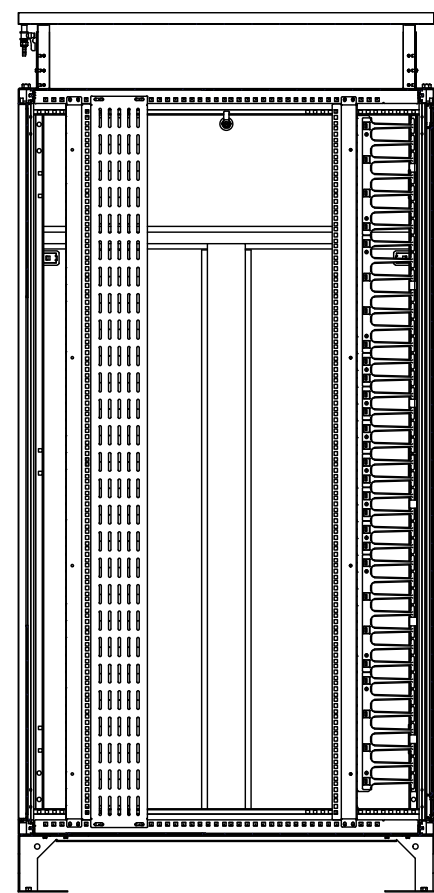
Front single-opening door with hexagonal mesh ventilation holes

Lockable/Removable Side Panel

Bottom Mounting Bracket

Rear double-opening door with hexagonal mesh ventilation holes

A-A (1:20)



PROPRIETARY AND CONFIDENTIAL THE INFORMATION CONTAINED IN THIS DRAWING IS THE SOLE PROPERTY OF ISTARUSA GROUP. ANY REPRODUCTION IN PART OR AS A WHOLE WITHOUT THE WRITTEN PERMISSION OF ISTARUSA GROUP IS PROHIBITED.

		DIMENSIONS ARE IN MM		NAME	DATE
		TOLERANCES:		DRAWN	
		FRACTIONAL ±		CHECKED	
		ANGULAR: MACH ± BEND ±		ENG APPR.	
		TWO PLACE DECIMAL ±		MFG APPR.	
		THREE PLACE DECIMAL ±		Q.A.	
		MATERIAL		COMMENTS:	
NEXT ASSY	USED ON	FINISH			
BY	EA				

iStarUSA™
WN42110

SIZE	DWG. NO.	REV.
A3		0
SCALE: 1:20 WEIGHT: 不適用		SHEET: 1 / 1